

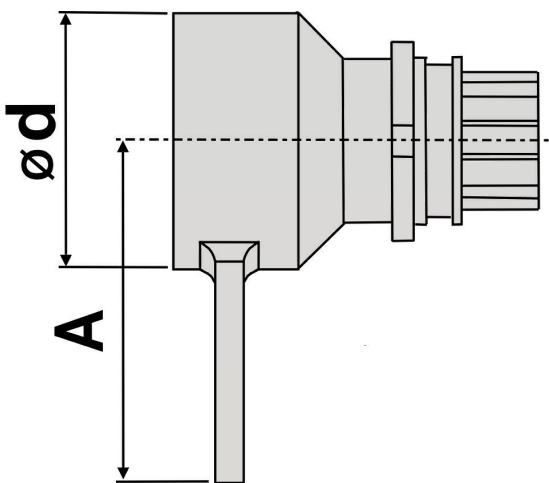
The TCB reaction bar is a socket specially designed to remove Tension Control Bolts once they've been fully installed. It enables removal of a TC bolt very efficiently.

The socket is compatible with standard & corner shear wrenches and can be fitted in the same way as a normal TCB socket. The red bar rotates until it interacts with an obstruction (such as a bolt assembly), subsequently reacting against it to counterrotate the nut and enabling swift removal of a Tension Control Bolt.

The reaction bar is available to purchase or hire to suit a variety of bolt diameters.



[Click here to view demo video](#)



Tool	Size	Dimensions (mm)	
		A	d
M Series	M16	82	59
	M20	82	59
H Series	M22	82	65
	M24	90	77
V Series	M27	125	80
	M30	128	86
X Series	M36	90	97